



Icon™

Tool-Free Die Cast Street Light

10W~200W @ 27,000Lm Max



E-Lite Semiconductor Co., Ltd.
Headquarter & Factory
www.elitesemicon.com

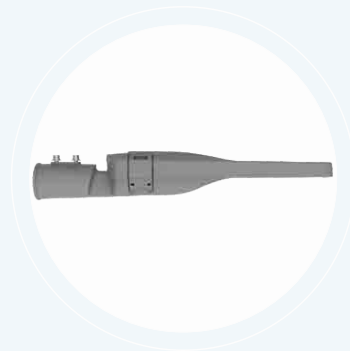


IP66 | Water and Dust Proof.



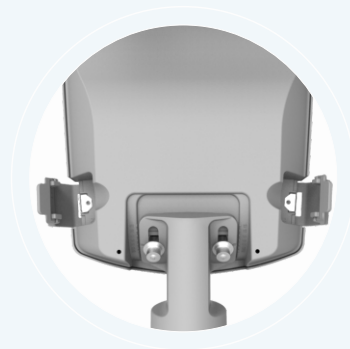
■ Features

- Tool Free Access.to Driver Box.
- Rugged One-piece Die Cast Housing.
- Easy Installation,Direct Slide-in Mount.
- Multiple Choice of Optical Lenses.
- IP66.
- Five Years Warranty.



■ Typical Applications

- Road Way Lighting.
- Walkway Lighting.
- Plaza Lighting.
- Area Lighting.





■ Specifications

PERFORMANCE

LED Chip	Philips Lumileds / Cree
Color Temperature	2700~6500K
CRI	≥70
Lumen Maintenance	L70>100,000 Hours (Calculated Using Tm-21 Calculator)
Input Voltage	100-277 VAC
Power Factor	0.95 Minimum
Surge Protection	6KV / 20KV
IP Rating	IP66
IK Rating	IK08

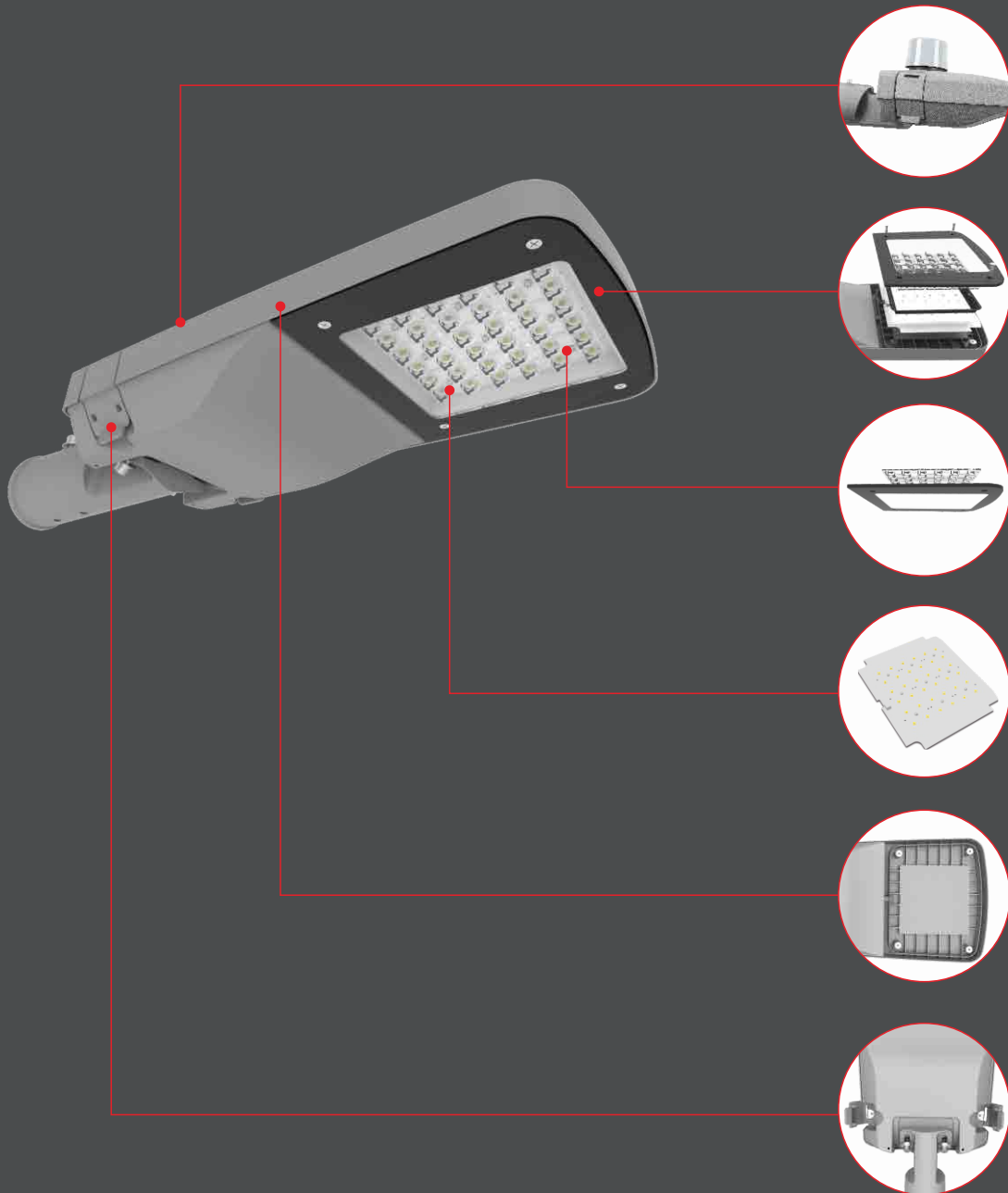
ENVIRONMENTAL

Operating Temperature	-30 to 45°C (-22 to 113°F)
Storing Temperature	-40 to 80°C (-40 to 176°F)
Humidity	15% to 95% RH

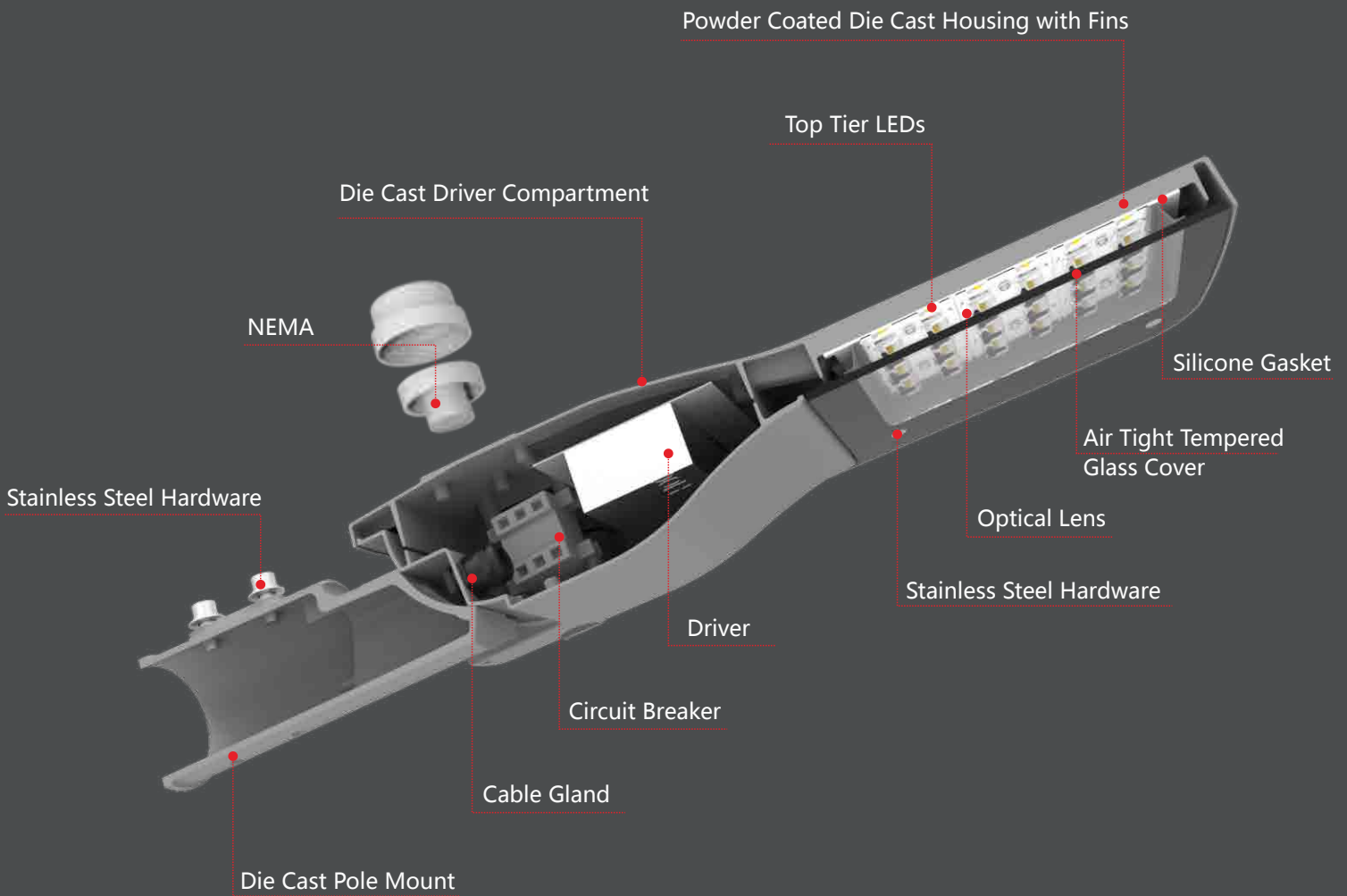
PHYSICAL

Fixture Material	Aluminum Alloy
WARRANTY	5 Years

Icon™ Fixture Profile



Icon™ Fixture Profile



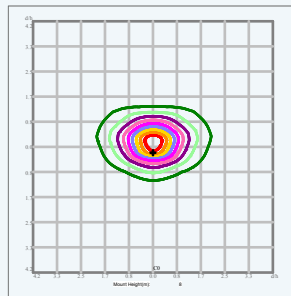
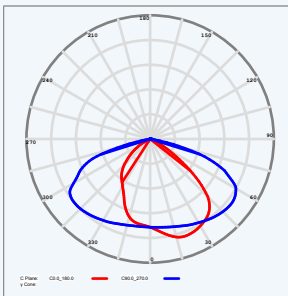
■ Specifications

Part#	Power	LEDs Qty	Lens Qty	Output Current	Efficacy (IES)	Total Lumens	N.W	Product Dimension
EO-STIC-50	10W	24	2	63mA	145lm/w	1450lm	4.0kg/8.8lbs	577×233×103mm 22.7×9.2×4.1in
	20W	32	2	95mA	140lm/w	2800lm		
	30W	48	4	95mA	140lm/w	4200lm		
	40W	60	4	102mA	140lm/w	5600lm		
	50W	60	4	125mA	135lm/w	6750lm		
EO-STIC-100	60W	72	6	125mA	137lm/w	8220lm	4.0kg/8.8lbs	627×272×103mm 24.7×10.7×4.1in
	70W	96	6	112mA	143lm/w	10010lm		
	80W	96	6	126mA	140lm/w	11200lm		
	90W	96	6	145mA	137lm/w	12330lm	5.0kg/11.0lbs	
	100W	96	6	155mA	135lm/w	13500lm		
EO-STIC-150	110W	112	7	152mA	132lm/w	14520lm	5.0kg/11.0lbs	627×272×103mm 24.7×10.7×4.1in
	120W	144	9	130mA	142lm/w	17040lm		
	130W	144	9	140mA	139lm/w	18070lm		
	140W	144	9	150mA	137lm/w	19180lm		
	150W	144	9	155mA	135lm/w	20250lm		
EO-STIC-200	160W	192	12	130mA	137lm/w	21920lm	6.0kg/13.2lbs	767×300×103mm 30.2×11.8×4.1in
	170W	240	16	112mA	140lm/w	23800lm	6.5kg/14.3lbs	
	180W	240	16	120mA	138lm/w	24840lm		
	200W	240	16	130mA	135lm/w	27000lm		

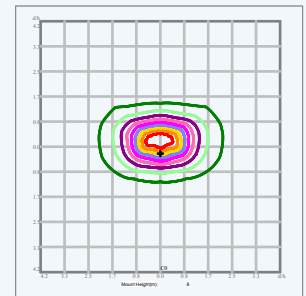
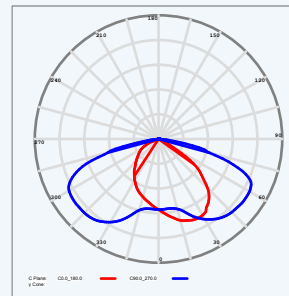


■ Photometrics

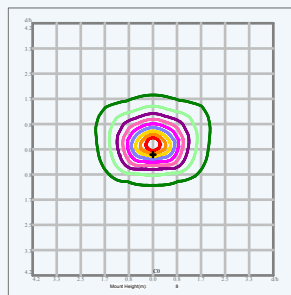
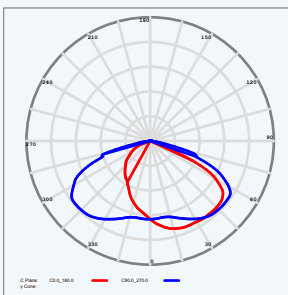
80x150(Type II -S)



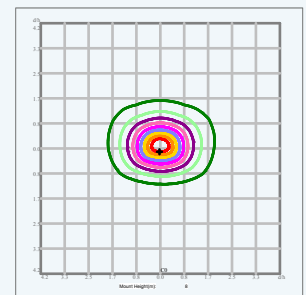
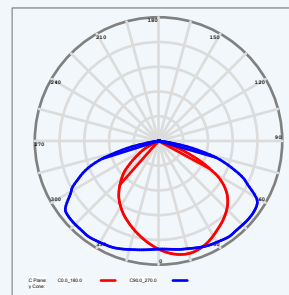
85x155(Type II -S)



90x150(Type III -S)

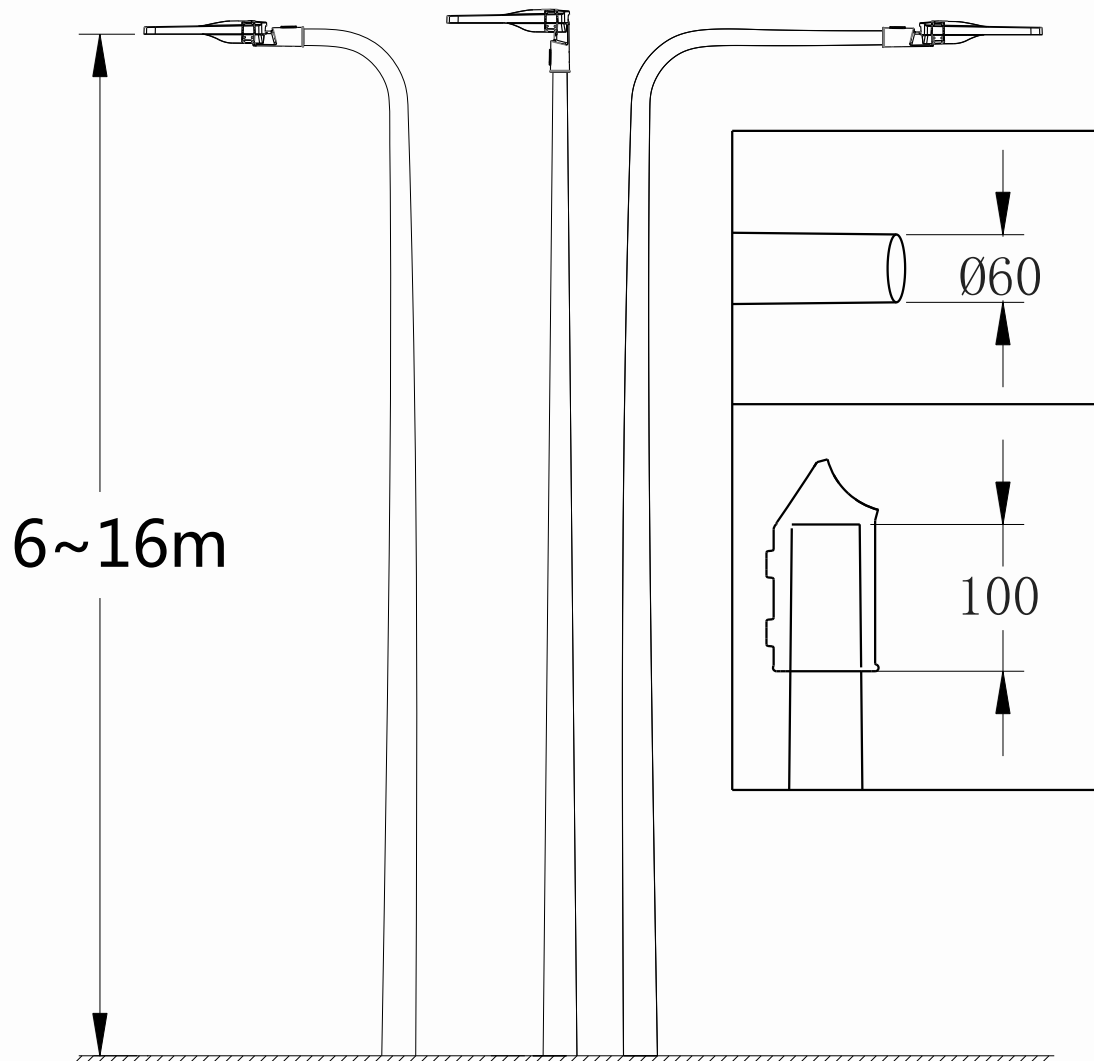


100x150(Type III -S)



■ Installation

For high performance and long term reliability, the light should be installed in free air.

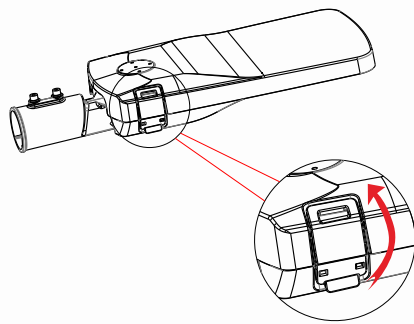


■ Installation

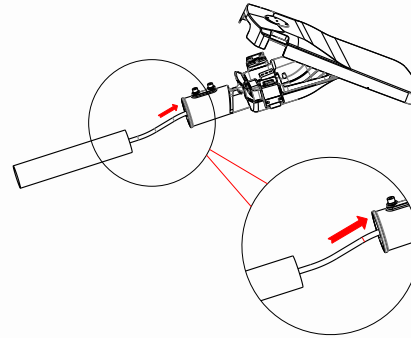
For high performance and long term reliability, the light should be installed in free air.

Slip Fitter Mount

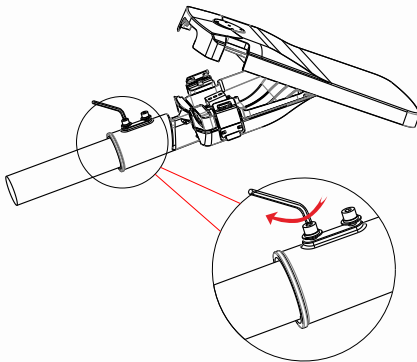
1. Unlock the screws, adjust the angle of slip fitter.
2. Feed the power cord through the pole and make wiring.
3. Slide the fixture onto the pole, lock the screws.



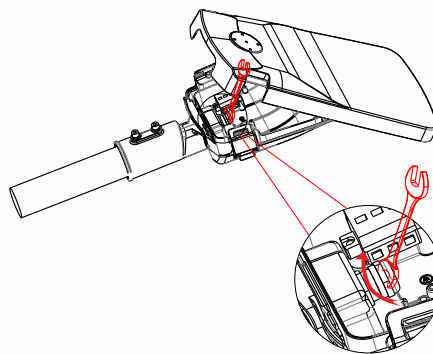
A. Open driver compartment



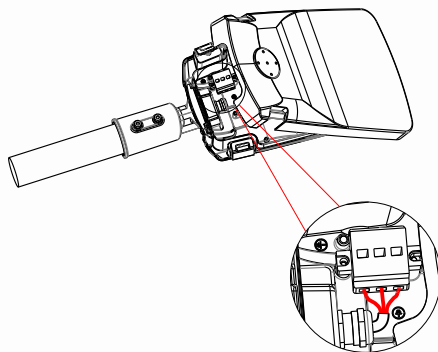
B. Pull cable through into driver compartment



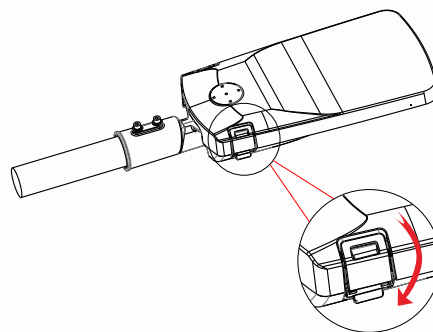
C. Tighten screw to secure lamp to the pole



D. Tighten the waterproof cable gland



E. Make all wire connection



F. Close and lock driver compartment

Ordering Information

