



New Edge Series Tennis Court Light Fixture Installation and Maintenance Manual

Introduction

Using only the highest quality components, the New Edge Series Tennis Court Light Fixture is designed for industrial applications where reliability and performance are critical as the bulb maintenance is difficult or impossible, not to mention the high cost.

Every component of the New Edge Series Tennis Court Light Fixture has been carefully engineered to provide the most reliable performance and bring across many benefits of utilizing solid state lighting technology in industrial applications.

New Edge Series Tennis Court Light Fixture is rated IP66, Tennis court lighting.

Product Features:

- Multiple choice of optical lenses
- Patented thermal management allows -40°C to 60°C ambient working temperature
- System light efficacy 155 lm/W
- 5 years warranty, up to 150,000 hours long life
- Easy installation and maintenance

Warning

To avoid the risk of fire, explosion, or electric shock, this product should be installed, inspected, and maintained by a qualified electrician only, in accordance with all applicable electrical codes.

To avoid electric shock:

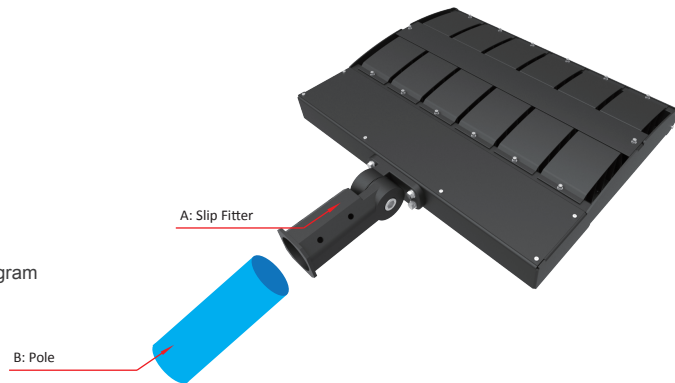
- Be certain electrical power is OFF before and during installation and maintenance.
- Luminaire must be connected to a wiring system with an equipment-grounding conductor.
- Make sure the supply voltage is the same as the rated luminaire voltage.
- Do not operate in ambient temperatures above those indicated on the luminaire nameplate.
- Avoid to use in environments containing sulfur, chlorine, or other halides, methyl acetate or ethyl acetate, cyanoacrylates, glycol ethers, formaldehyde or butadiene.

Installation

For high performance and long term reliability, the light should be installed in free air.

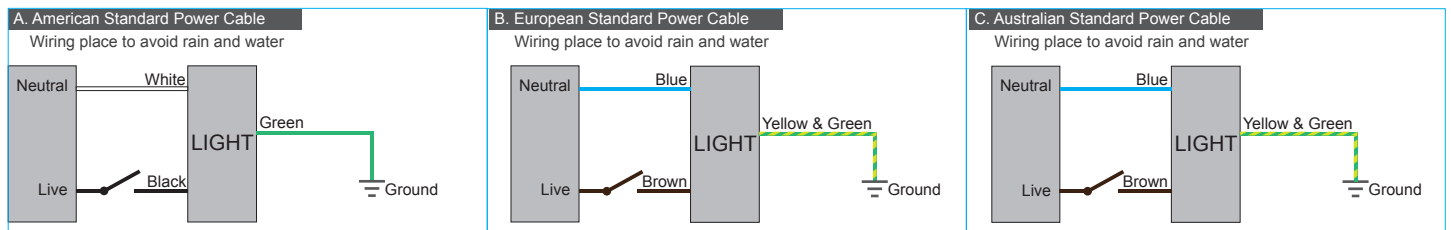
A. Slip Fitter Mount 240~600W

1. Fix the Slip Fitter to Bracket with Bolts.
2. Mount The lighting fixture to Lighting Pole with Bolts.
3. Wiring.(Connect supply wires to luminaire wire leads per the wiring diagram using methods that comply with all applicable codes.)



Wiring

1. Connect supply wires to luminaire wire leads per the wiring diagram using methods that comply with all applicable codes.
2. Turn power on.



Specification

AC Voltage	100~277V/200~480V	Power Frequency	50/60Hz
Working Temp.	-40~+60°C	Working Humidity	15%~90%RH
Storing Temp.	-40~+80°C	IP Rating	IP66

All statements, technical information and recommendations contained herein are based on information and tests we believe to be reliable. The accuracy or completeness thereof is not guaranteed.



New Edge Series Tennis Court Light Fixture Installation and Maintenance Manual

Introduction

Using only the highest quality components, the New Edge Series Tennis Court Light Fixture is designed for industrial applications where reliability and performance are critical as the bulb maintenance is difficult or impossible, not to mention the high cost.

Every component of the New Edge Series Tennis Court Light Fixture has been carefully engineered to provide the most reliable performance and bring across many benefits of utilizing solid state lighting technology in industrial applications.

New Edge Series Tennis Court Light Fixture is rated IP66, Tennis court lighting.

Product Features:

- Multiple choice of optical lenses
- Patented thermal management allows -40°C to 60°C ambient working temperature
- System light efficacy 155 lm/W
- 5 years warranty, up to 150,000 hours long life
- Easy installation and maintenance

Warning

To avoid the risk of fire, explosion, or electric shock, this product should be installed, inspected, and maintained by a qualified electrician only, in accordance with all applicable electrical codes.

To avoid electric shock:

- Be certain electrical power is OFF before and during installation and maintenance.
- Luminaire must be connected to a wiring system with an equipment-grounding conductor.
- Make sure the supply voltage is the same as the rated luminaire voltage.
- Do not operate in ambient temperatures above those indicated on the luminaire nameplate.
- Avoid to use in environments containing sulfur, chlorine, or other halides, methyl acetate or ethyl acetate, cyanoacrylates, glycol ethers, formaldehyde or butadiene.

Installation

For high performance and long term reliability, the light should be installed in free air.

A. Slip Fitter Mount

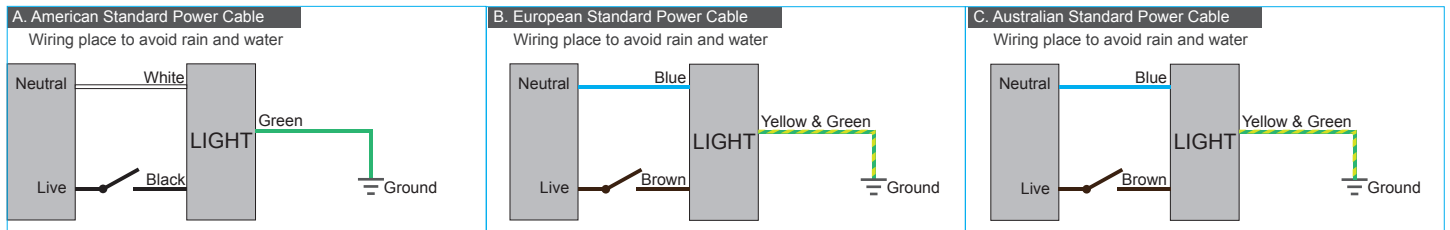
240~600W

1. Fix the Slip Fitter to Bracket with Bolts.
2. Mount The lighting fixture to Lighting Pole with Bolts.
3. Wiring.(Connect supply wires to luminaire wire leads per the wiring diagram using methods that comply with all applicable codes.)



Wiring

1. Connect supply wires to luminaire wire leads per the wiring diagram using methods that comply with all applicable codes.
2. Turn power on.



Specification

AC Voltage	100~277V/200~480V	Power Frequency	50/60Hz
Working Temp.	-40~+60°C	Working Humidity	15%~90%RH
Storing Temp.	-40~+80°C	IP Rating	IP66

All statements, technical information and recommendations contained herein are based on information and tests we believe to be reliable. The accuracy or completeness thereof is not guaranteed.



New Edge Series Tennis Court Light Fixture Installation and Maintenance Manual

Introduction

Using only the highest quality components, the New Edge Series Tennis Court Light Fixture is designed for industrial applications where reliability and performance are critical as the bulb maintenance is difficult or impossible, not to mention the high cost. Every component of the New Edge Series Tennis Court Light Fixture has been carefully engineered to provide the most reliable performance and bring across many benefits of utilizing solid state lighting technology in industrial applications. New Edge Series Tennis Court Light Fixture is rated IP66, Tennis court lighting.

Product Features:

- Multiple choice of optical lenses
- Patented thermal management allows -40°C to 60°C ambient working temperature
- System light efficacy 155 lm/W
- 5 years warranty, up to 150,000 hours long life
- Easy installation and maintenance

Warning

To avoid the risk of fire, explosion, or electric shock, this product should be installed, inspected, and maintained by a qualified electrician only, in accordance with all applicable electrical codes.

To avoid electric shock:

- Be certain electrical power is OFF before and during installation and maintenance.
- Luminaire must be connected to a wiring system with an equipment-grounding conductor.
- Make sure the supply voltage is the same as the rated luminaire voltage.
- Do not operate in ambient temperatures above those indicated on the luminaire nameplate.
- Avoid to use in environments containing sulfur, chlorine, or other halides, methyl acetate or ethyl acetate, cyanoacrylates, glycol ethers, formaldehyde or butadiene.

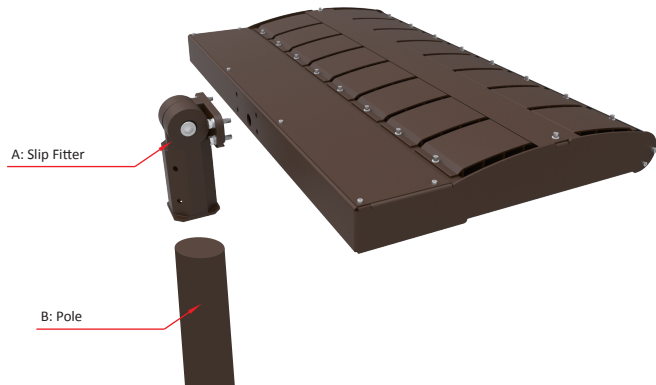
Installation

For high performance and long term reliability, the light should be installed in free air.

A. Slip Fitter Mount

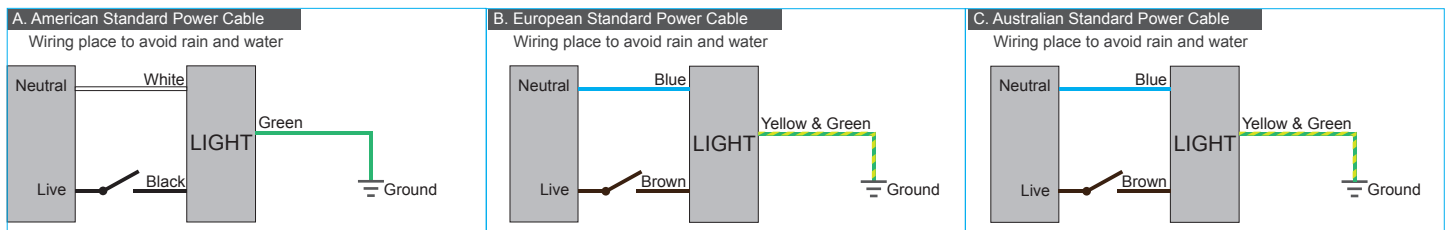
240~600W

1. Fix the Slip Fitter to Bracket with Bolts.
2. Mount The lighting fixture to Lighting Pole with Bolts.
3. Wiring.(Connect supply wires to luminaire wire leads per the wiring diagram using methods that comply with all applicable codes.)



Wiring

1. Connect supply wires to luminaire wire leads per the wiring diagram using methods that comply with all applicable codes.
2. Turn power on.



Specification

AC Voltage	100~277V/200~480V	Power Frequency	50/60Hz
Working Temp.	-40~+60°C	Working Humidity	15%~90%RH
Storing Temp.	-40~+80°C	IP Rating	IP66

All statements, technical information and recommendations contained herein are based on information and tests we believe to be reliable. The accuracy or completeness thereof is not guaranteed.



New Edge Series Tennis Court Light Fixture Installation and Maintenance Manual

Introduction

Using only the highest quality components, the New Edge Series Tennis Court Light Fixture is designed for industrial applications where reliability and performance are critical as the bulb maintenance is difficult or impossible, not to mention the high cost.

Every component of the New Edge Series Tennis Court Light Fixture has been carefully engineered to provide the most reliable performance and bring across many benefits of utilizing solid state lighting technology in industrial applications.

New Edge Series Tennis Court Light Fixture is rated IP66, Tennis court lighting.

Product Features:

- Multiple choice of optical lenses
- Patented thermal management allows -40°C to 60°C ambient working temperature
- System light efficacy 155 lm/W
- 5 years warranty, up to 150,000 hours long life
- Easy installation and maintenance

Warning

To avoid the risk of fire, explosion, or electric shock, this product should be installed, inspected, and maintained by a qualified electrician only, in accordance with all applicable electrical codes.

To avoid electric shock:

- Be certain electrical power is OFF before and during installation and maintenance.
- Luminaire must be connected to a wiring system with an equipment-grounding conductor.
- Make sure the supply voltage is the same as the rated luminaire voltage.
- Do not operate in ambient temperatures above those indicated on the luminaire nameplate.
- Avoid to use in environments containing sulfur, chlorine, or other halides, methyl acetate or ethyl acetate, cyanoacrylates, glycol ethers, formaldehyde or butadiene.

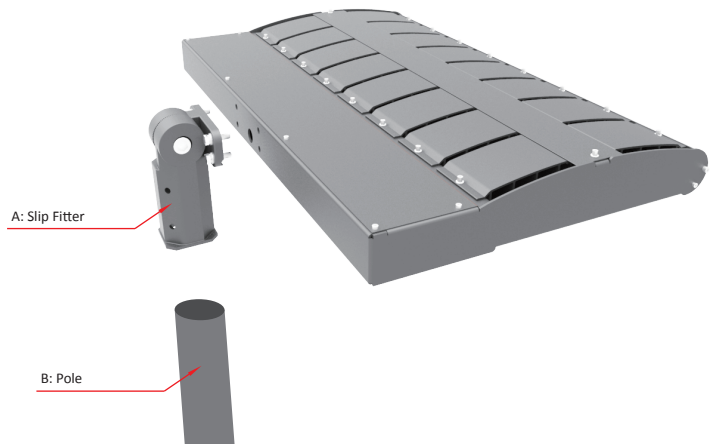
Installation

For high performance and long term reliability, the light should be installed in free air.

A. Slip Fitter Mount

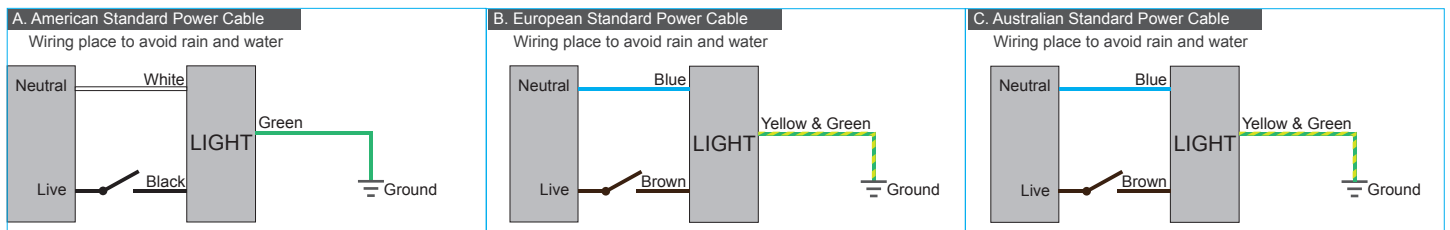
240~600W

1. Fix the Slip Fitter to Bracket with Bolts.
2. Mount The lighting fixture to Lighting Pole with Bolts.
3. Wiring.(Connect supply wires to luminaire wire leads per the wiring diagram using methods that comply with all applicable codes.)



Wiring

1. Connect supply wires to luminaire wire leads per the wiring diagram using methods that comply with all applicable codes.
2. Turn power on.



Specification

AC Voltage	100~277V/200~480V	Power Frequency	50/60Hz
Working Temp.	-40~+60°C	Working Humidity	15%~90%RH
Storing Temp.	-40~+80°C	IP Rating	IP66

All statements, technical information and recommendations contained herein are based on information and tests we believe to be reliable. The accuracy or completeness thereof is not guaranteed.



New Edge Series Tennis Court Light Fixture Installation and Maintenance Manual

Introduction

Using only the highest quality components, the New Edge Series Tennis Court Light Fixture is designed for industrial applications where reliability and performance are critical as the bulb maintenance is difficult or impossible, not to mention the high cost.

Every component of the New Edge Series Tennis Court Light Fixture has been carefully engineered to provide the most reliable performance and bring across many benefits of utilizing solid state lighting technology in industrial applications.

New Edge Series Tennis Court Light Fixture is rated IP66, Tennis court lighting.

Product Features:

- Multiple choice of optical lenses
- Patented thermal management allows -40°C to 60°C ambient working temperature
- System light efficacy 155 lm/W
- 5 years warranty, up to 150,000 hours long life
- Easy installation and maintenance

Warning

To avoid the risk of fire, explosion, or electric shock, this product should be installed, inspected, and maintained by a qualified electrician only, in accordance with all applicable electrical codes.

To avoid electric shock:

- Be certain electrical power is OFF before and during installation and maintenance.
- Luminaire must be connected to a wiring system with an equipment-grounding conductor.
- Make sure the supply voltage is the same as the rated luminaire voltage.
- Do not operate in ambient temperatures above those indicated on the luminaire nameplate.
- Avoid to use in environments containing sulfur, chlorine, or other halides, methyl acetate or ethyl acetate, cyanoacrylates, glycol ethers, formaldehyde or butadiene.

Installation

For high performance and long term reliability, the light should be installed in free air.

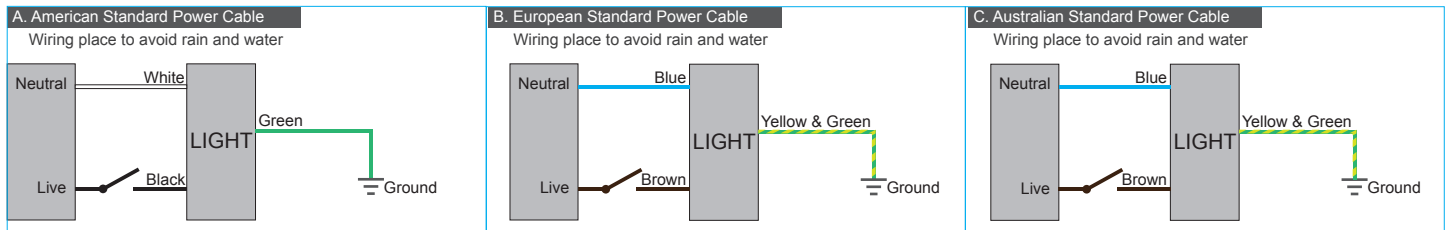
A. Slip Fitter Mount

1. Fix the Slip Fitter to Bracket with Bolts.
2. Mount The lighting fixture to Lighting Pole with Bolts.
3. Wiring.(Connect supply wires to luminaire wire leads per the wiring diagram using methods that comply with all applicable codes.)



Wiring

1. Connect supply wires to luminaire wire leads per the wiring diagram using methods that comply with all applicable codes.
2. Turn power on.



Specification

AC Voltage	100~277V/200~480V	Power Frequency	50/60Hz
Working Temp.	-40~+60°C	Working Humidity	15%~90%RH
Storing Temp.	-40~+80°C	IP Rating	IP66

All statements, technical information and recommendations contained herein are based on information and tests we believe to be reliable. The accuracy or completeness thereof is not guaranteed.



New Edge Series Tennis Court Light Fixture Installation and Maintenance Manual

Introduction

Using only the highest quality components, the New Edge Series Tennis Court Light Fixture is designed for industrial applications where reliability and performance are critical as the bulb maintenance is difficult or impossible, not to mention the high cost.

Every component of the New Edge Series Tennis Court Light Fixture has been carefully engineered to provide the most reliable performance and bring across many benefits of utilizing solid state lighting technology in industrial applications.

New Edge Series Tennis Court Light Fixture is rated IP66, Tennis court lighting.

Product Features:

- Multiple choice of optical lenses
- Patented thermal management allows -40°C to 60°C ambient working temperature
- System light efficacy 155 lm/W
- 5 years warranty, up to 150,000 hours long life
- Easy installation and maintenance

Warning

To avoid the risk of fire, explosion, or electric shock, this product should be installed, inspected, and maintained by a qualified electrician only, in accordance with all applicable electrical codes.

To avoid electric shock:

- Be certain electrical power is OFF before and during installation and maintenance.
- Luminaire must be connected to a wiring system with an equipment-grounding conductor.
- Make sure the supply voltage is the same as the rated luminaire voltage.
- Do not operate in ambient temperatures above those indicated on the luminaire nameplate.
- Avoid to use in environments containing sulfur, chlorine, or other halides, methyl acetate or ethyl acetate, cyanoacrylates, glycol ethers, formaldehyde or butadiene.

Installation

For high performance and long term reliability, the light should be installed in free air.

A. Slip Fitter Mount

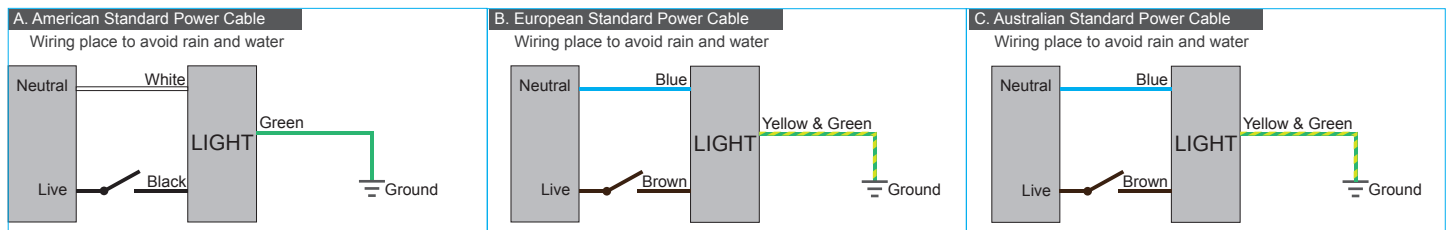
240~600W

1. Fix the Slip Fitter to Bracket with Bolts.
2. Mount The lighting fixture to Lighting Pole with Bolts.
3. Wiring.(Connect supply wires to luminaire wire leads per the wiring diagram using methods that comply with all applicable codes.)



Wiring

1. Connect supply wires to luminaire wire leads per the wiring diagram using methods that comply with all applicable codes.
2. Turn power on.



Specification

AC Voltage	100~277V/200~480V	Power Frequency	50/60Hz
Working Temp.	-40~+60°C	Working Humidity	15%~90%RH
Storing Temp.	-40~+80°C	IP Rating	IP66

All statements, technical information and recommendations contained herein are based on information and tests we believe to be reliable. The accuracy or completeness thereof is not guaranteed.



New Edge Series Tennis Court Light Fixture Installation and Maintenance Manual

Introduction

Using only the highest quality components, the New Edge Series Tennis Court Light Fixture is designed for industrial applications where reliability and performance are critical as the bulb maintenance is difficult or impossible, not to mention the high cost. Every component of the New Edge Series Tennis Court Light Fixture has been carefully engineered to provide the most reliable performance and bring across many benefits of utilizing solid state lighting technology in industrial applications. New Edge Series Tennis Court Light Fixture is rated IP66, Tennis court lighting.

Product Features:

- Multiple choice of optical lenses
- Patented thermal management allows -40°C to 60°C ambient working temperature
- System light efficacy 155 lm/W
- 5 years warranty, up to 150,000 hours long life
- Easy installation and maintenance

Warning

To avoid the risk of fire, explosion, or electric shock, this product should be installed, inspected, and maintained by a qualified electrician only, in accordance with all applicable electrical codes.

To avoid electric shock:

- Be certain electrical power is OFF before and during installation and maintenance.
- Luminaire must be connected to a wiring system with an equipment-grounding conductor.
- Make sure the supply voltage is the same as the rated luminaire voltage.
- Do not operate in ambient temperatures above those indicated on the luminaire nameplate.
- Avoid to use in environments containing sulfur, chlorine, or other halides, methyl acetate or ethyl acetate, cyanoacrylates, glycol ethers, formaldehyde or butadiene.

Installation

For high performance and long term reliability, the light should be installed in free air.

A. Slip Fitter Mount

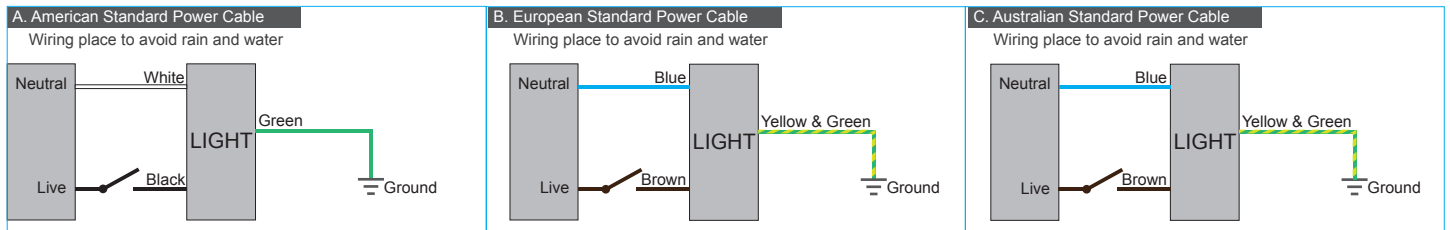
240~600W

1. Fix the Slip Fitter to Bracket with Bolts.
2. Mount The lighting fixture to Lighting Pole with Bolts.
3. Wiring.(Connect supply wires to luminaire wire leads per the wiring diagram using methods that comply with all applicable codes.)



Wiring

1. Connect supply wires to luminaire wire leads per the wiring diagram using methods that comply with all applicable codes.
2. Turn power on.



Specification

AC Voltage	100~277V/200~480V	Power Frequency	50/60Hz
Working Temp.	-40~+60°C	Working Humidity	15%~90%RH
Storing Temp.	-40~+80°C	IP Rating	IP66

All statements, technical information and recommendations contained herein are based on information and tests we believe to be reliable. The accuracy or completeness thereof is not guaranteed.



New Edge Series Tennis Court Light Fixture Installation and Maintenance Manual

Introduction

Using only the highest quality components, the New Edge Series Tennis Court Light Fixture is designed for industrial applications where reliability and performance are critical as the bulb maintenance is difficult or impossible, not to mention the high cost.

Every component of the New Edge Series Tennis Court Light Fixture has been carefully engineered to provide the most reliable performance and bring across many benefits of utilizing solid state lighting technology in industrial applications.

New Edge Series Tennis Court Light Fixture is rated IP66, Tennis court lighting.

Product Features:

- Multiple choice of optical lenses
- Patented thermal management allows -40°C to 60°C ambient working temperature
- System light efficacy 155 lm/W
- 5 years warranty, up to 150,000 hours long life
- Easy installation and maintenance

Warning

To avoid the risk of fire, explosion, or electric shock, this product should be installed, inspected, and maintained by a qualified electrician only, in accordance with all applicable electrical codes.

To avoid electric shock:

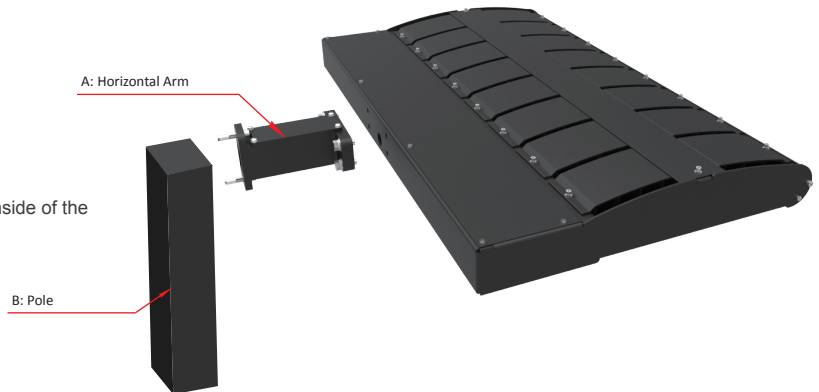
- Be certain electrical power is OFF before and during installation and maintenance.
- Luminaire must be connected to a wiring system with an equipment-grounding conductor.
- Make sure the supply voltage is the same as the rated luminaire voltage.
- Do not operate in ambient temperatures above those indicated on the luminaire nameplate.
- Avoid to use in environments containing sulfur, chlorine, or other halides, methyl acetate or ethyl acetate, cyanoacrylates, glycol ethers, formaldehyde or butadiene.

Installation

For high performance and long term reliability, the light should be installed in free air.

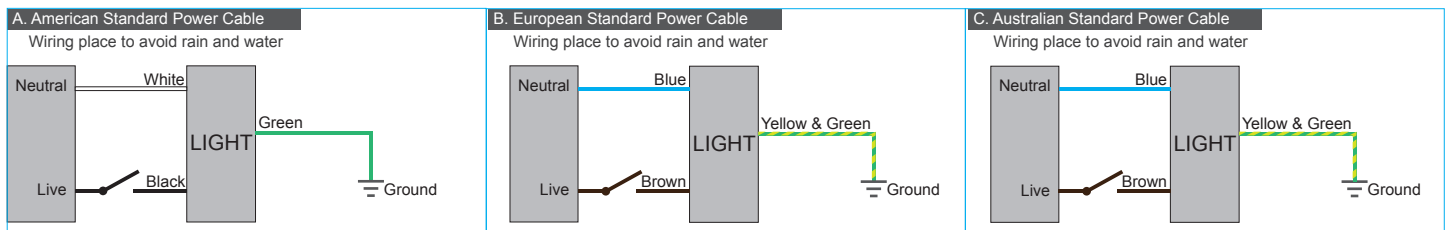
A. Horizontal Arm Mount 240~600W

1. Open extended arm lower cap.
2. Feed power cable through extended arm, Wiring.
3. Put the two bolts into the extended arm, and tight the hex nuts from inside of the extended arm.
4. Install arm upper cap.



Wiring

1. Connect supply wires to luminaire wire leads per the wiring diagram using methods that comply with all applicable codes.
2. Turn power on.



Specification

AC Voltage	100~277V/200~480V	Power Frequency	50/60Hz
Working Temp.	-40~+60°C	Working Humidity	15%~90%RH
Storing Temp.	-40~+80°C	IP Rating	IP66

All statements, technical information and recommendations contained herein are based on information and tests we believe to be reliable. The accuracy or completeness thereof is not guaranteed.



New Edge Series Tennis Court Light Fixture Installation and Maintenance Manual

Introduction

Using only the highest quality components, the New Edge Series Tennis Court Light Fixture is designed for industrial applications where reliability and performance are critical as the bulb maintenance is difficult or impossible, not to mention the high cost.

Every component of the New Edge Series Tennis Court Light Fixture has been carefully engineered to provide the most reliable performance and bring across many benefits of utilizing solid state lighting technology in industrial applications.

New Edge Series Tennis Court Light Fixture is rated IP66, Tennis court lighting.

Product Features:

- Multiple choice of optical lenses
- Patented thermal management allows -40°C to 60°C ambient working temperature
- System light efficacy 155 lm/W
- 5 years warranty, up to 150,000 hours long life
- Easy installation and maintenance

Warning

To avoid the risk of fire, explosion, or electric shock, this product should be installed, inspected, and maintained by a qualified electrician only, in accordance with all applicable electrical codes.

To avoid electric shock:

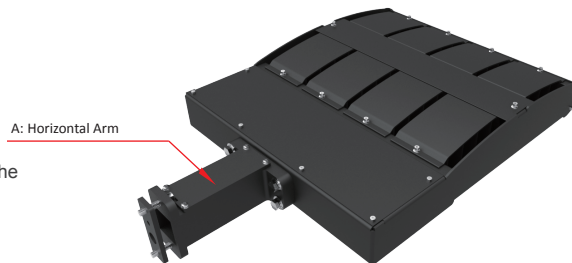
- Be certain electrical power is OFF before and during installation and maintenance.
- Luminaire must be connected to a wiring system with an equipment-grounding conductor.
- Make sure the supply voltage is the same as the rated luminaire voltage.
- Do not operate in ambient temperatures above those indicated on the luminaire nameplate.
- Avoid to use in environments containing sulfur, chlorine, or other halides, methyl acetate or ethyl acetate, cyanoacrylates, glycol ethers, formaldehyde or butadiene.

Installation

For high performance and long term reliability, the light should be installed in free air.

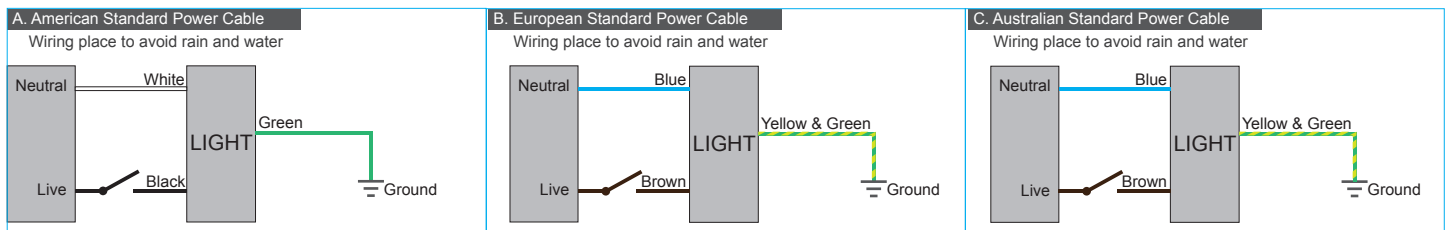
A. Horizontal Arm Mount

1. Open extended arm lower cap.
2. Feed power cable through extended arm, Wiring.
3. Put the two bolts into the extended arm, and tight the hex nuts from inside of the extended arm.
4. Install arm upper cap.



Wiring

1. Connect supply wires to luminaire wire leads per the wiring diagram using methods that comply with all applicable codes.
2. Turn power on.



Specification

AC Voltage	100~277V/200~480V	Power Frequency	50/60Hz
Working Temp.	-40~+60°C	Working Humidity	15%~90%RH
Storing Temp.	-40~+80°C	IP Rating	IP66

All statements, technical information and recommendations contained herein are based on information and tests we believe to be reliable. The accuracy or completeness thereof is not guaranteed.



New Edge Series Edge Series Tennis Court Light Fixture Installation and Maintenance Manual

Introduction

Using only the highest quality components, the New Edge Series Tennis Court Light Fixture is designed for industrial applications where reliability and performance are critical as the bulb maintenance is difficult or impossible, not to mention the high cost.

Every component of the New Edge Series Tennis Court Light Fixture has been carefully engineered to provide the most reliable performance and bring across many benefits of utilizing solid state lighting technology in industrial applications.

New Edge Series Tennis Court Light Fixture is rated IP66, Tennis court lighting.

Product Features:

- Multiple choice of optical lenses
- Patented thermal management allows -40°C to 60°C ambient working temperature
- System light efficacy 155 lm/W
- 5 years warranty, up to 150,000 hours long life
- Easy installation and maintenance

Warning

To avoid the risk of fire, explosion, or electric shock, this product should be installed, inspected, and maintained by a qualified electrician only, in accordance with all applicable electrical codes.

To avoid electric shock:

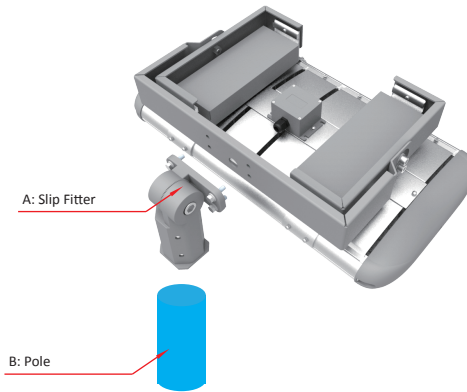
- Be certain electrical power is OFF before and during installation and maintenance.
- Luminaire must be connected to a wiring system with an equipment-grounding conductor.
- Make sure the supply voltage is the same as the rated luminaire voltage.
- Do not operate in ambient temperatures above those indicated on the luminaire nameplate.
- Avoid to use in environments containing sulfur, chlorine, or other halides, methyl acetate or ethyl acetate, cyanoacrylates, glycol ethers, formaldehyde or butadiene.

Installation

For high performance and long term reliability, the light should be installed in free air.

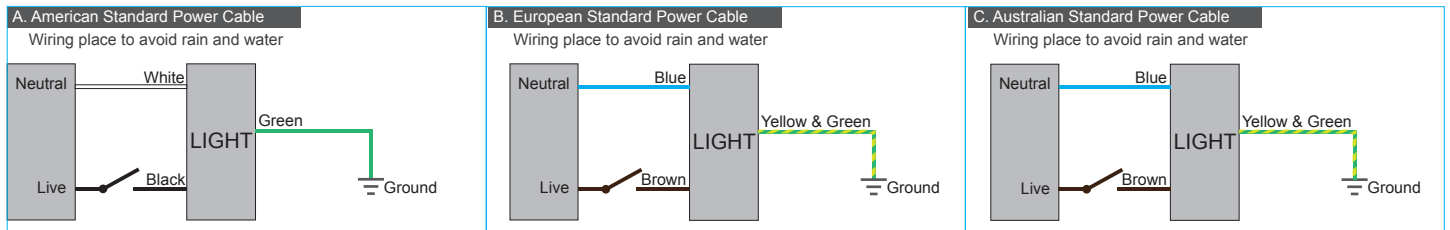
A. Slip Fitter Mount

1. Fix the Slip Fitter to Bracket with Bolts.
2. Mount The lighting fixture to Lighting Pole with Bolts.
3. Wiring.(Connect supply wires to luminaire wire leads per the wiring diagram using methods that comply with all applicable codes.)



Wiring

1. Connect supply wires to luminaire wire leads per the wiring diagram using methods that comply with all applicable codes.
2. Turn power on.



Specification

AC Voltage	100~277V/200~480V	Power Frequency	50/60Hz
Working Temp.	-40~+60°C	Working Humidity	15%~90%RH
Storing Temp.	-40~+80°C	IP Rating	IP66

All statements, technical information and recommendations contained herein are based on information and tests we believe to be reliable. The accuracy or completeness thereof is not guaranteed.